
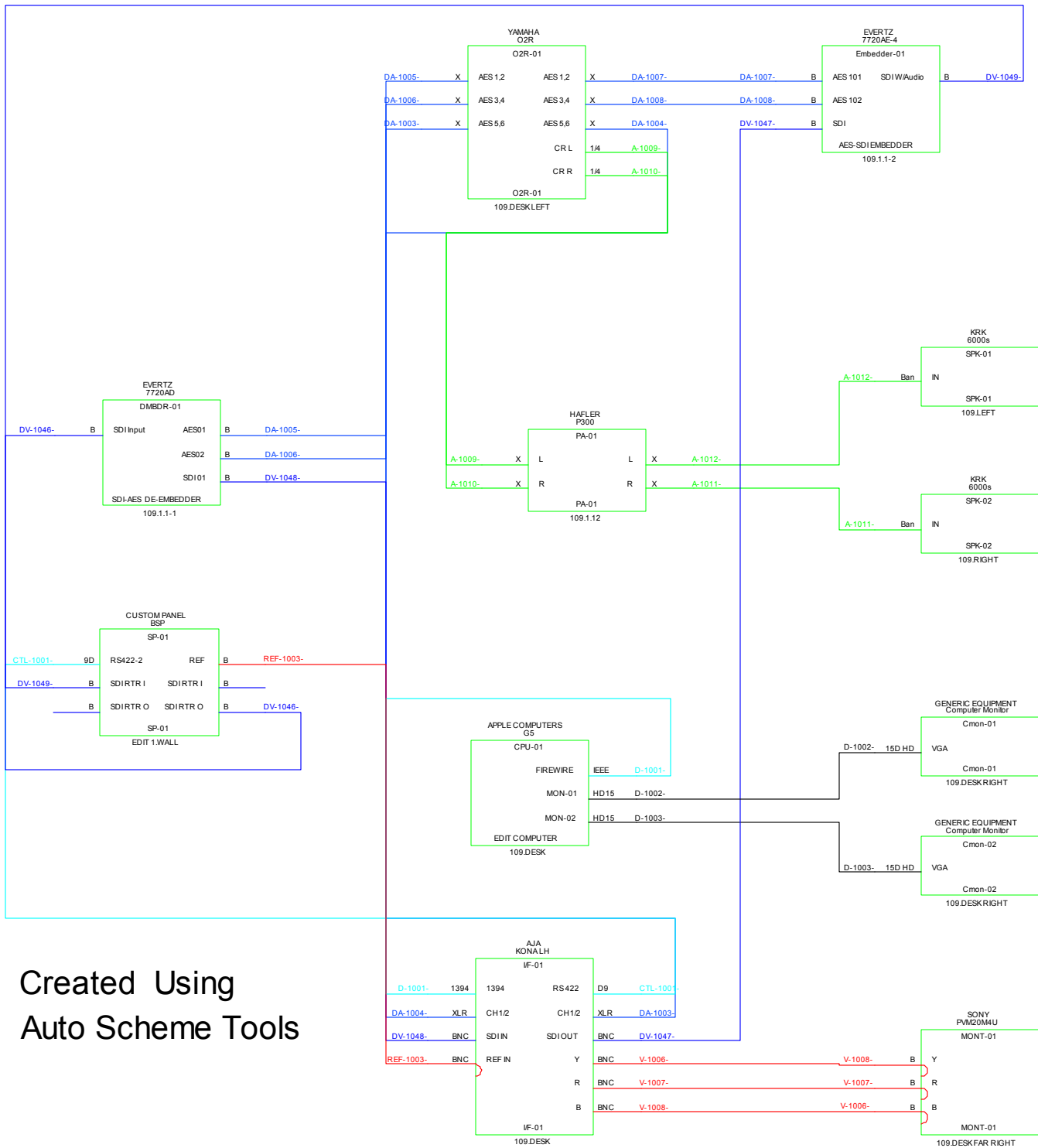


# WireCAD Demonstration Project


## Small Edit Facility

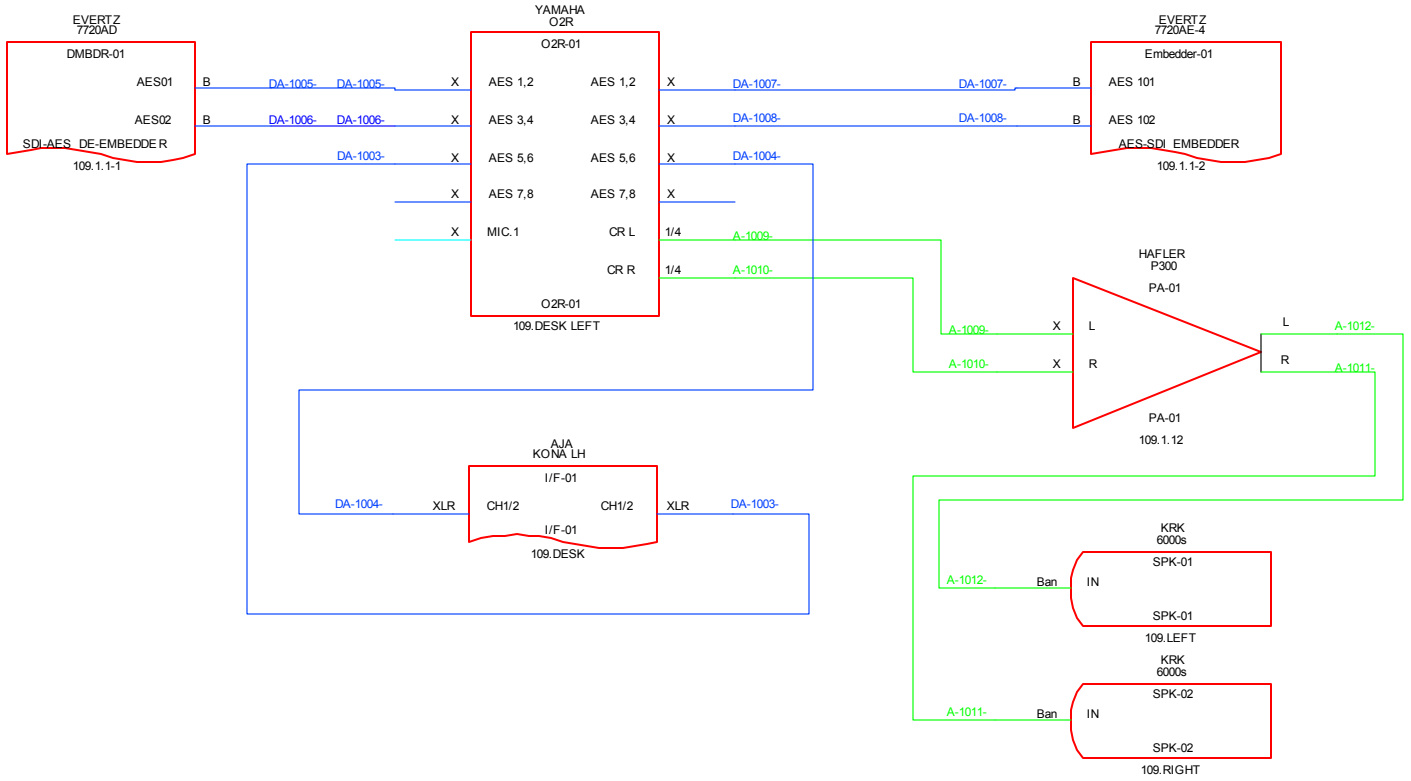
DRAWING	DESCRIPTION
● EDIT 1 ALL	AGGREGATE OF ALL EDIT 1 SYSTEMS
● EDIT 1 AUD	EDIT 1 AUD SIGNALS
● EDIT 1 CTL	EDIT 1 CONTROL SIGNALS
● EDIT 1 VID	EDIT 1 VIDEO SIGNALS
● EDIT 2 ALL	AGGREGATE OF ALL EDIT 2 SYSTEMS
● EDIT 2 AUD	EDIT 2 AUDIO SIGNALS
● EDIT 2 CTL	EDIT 2 CONTROL SIGNALS
● EDIT 2 VID	EDIT 2 VIDEO SIGNALS
● FP3	FLOOR PLANS
● MACHINE ROOM	MACHINE ROOM MACHINES
● RACKS	RACK ELEVATIONS
● REF DIST	REF DISTRIBUTION
● ROUTER	ROUTER SDI WITH EMBEDDED AES
● VIS SYS	SYSTEM VISUALIZATION
● VIZ CABLES	CABLES VISUALIZATION
● REPORTS	WIRECAD CUSTOM REPORTS
● SALES DEMO	HIGHLIGHTS FEATURES IN WIRECAD
● PATCH PANELS	PATCH BAYS CREATED IN PATCH VERX


	<b>WireCAD</b> 1112 6th Street South Nampa, Idaho 83651		
	<h2>Table of Contents</h2>		
1.866.273.5298 US	SIZE	FSCM NO	DWG NO
1.661.253.4370 INTL	AV		REV
www.wirecad.com	SCALE		SHEET (Table of Content).dwg

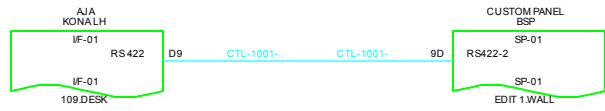



Created Using  
Auto Scheme Tools

	<b>WireCAD</b> 1112 6th Street South Nampa, Idaho 83651		
	<h1>EDIT 1 ALL SIGNALS</h1>		
1.866.273.5298 US 1.661.253.4370 INTL www.wirecad.com	SIZE <b>AV</b>	FSCM NO	DWG NO
SCALE		SHEET EDIT_1_ALL.dwg	

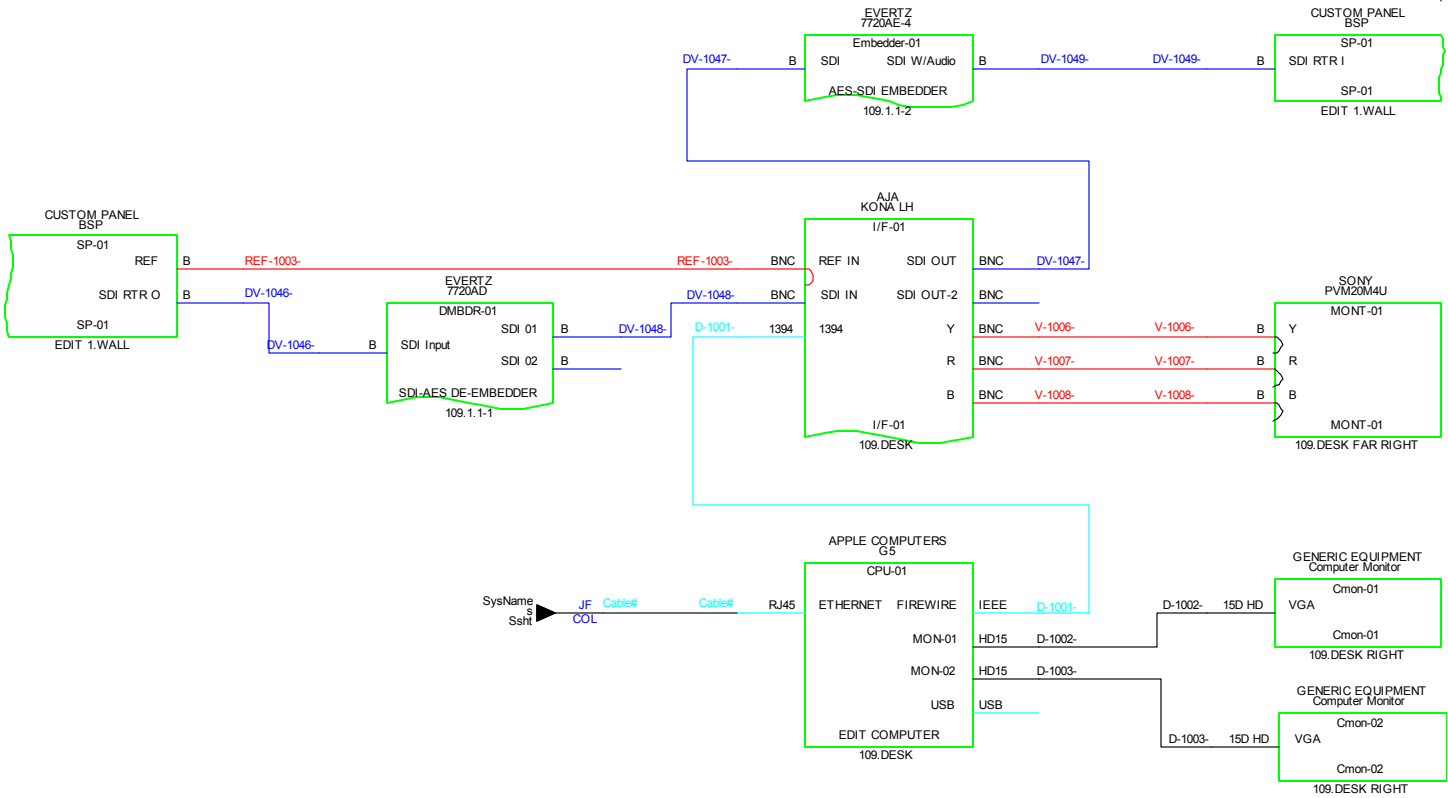



	<b>WireCAD</b> 1112 6th Street South Nampa, Idaho 83651			
	<b>EDIT 1 AUD SIGNALS</b>			
1.866.273.5298 US 1.661.253.4370 INTL www.wirecad.com	SIZE AV	FSCM NO	DWG NO	REV
SCALE		SHEET EDIT_1_AUD.dwg		

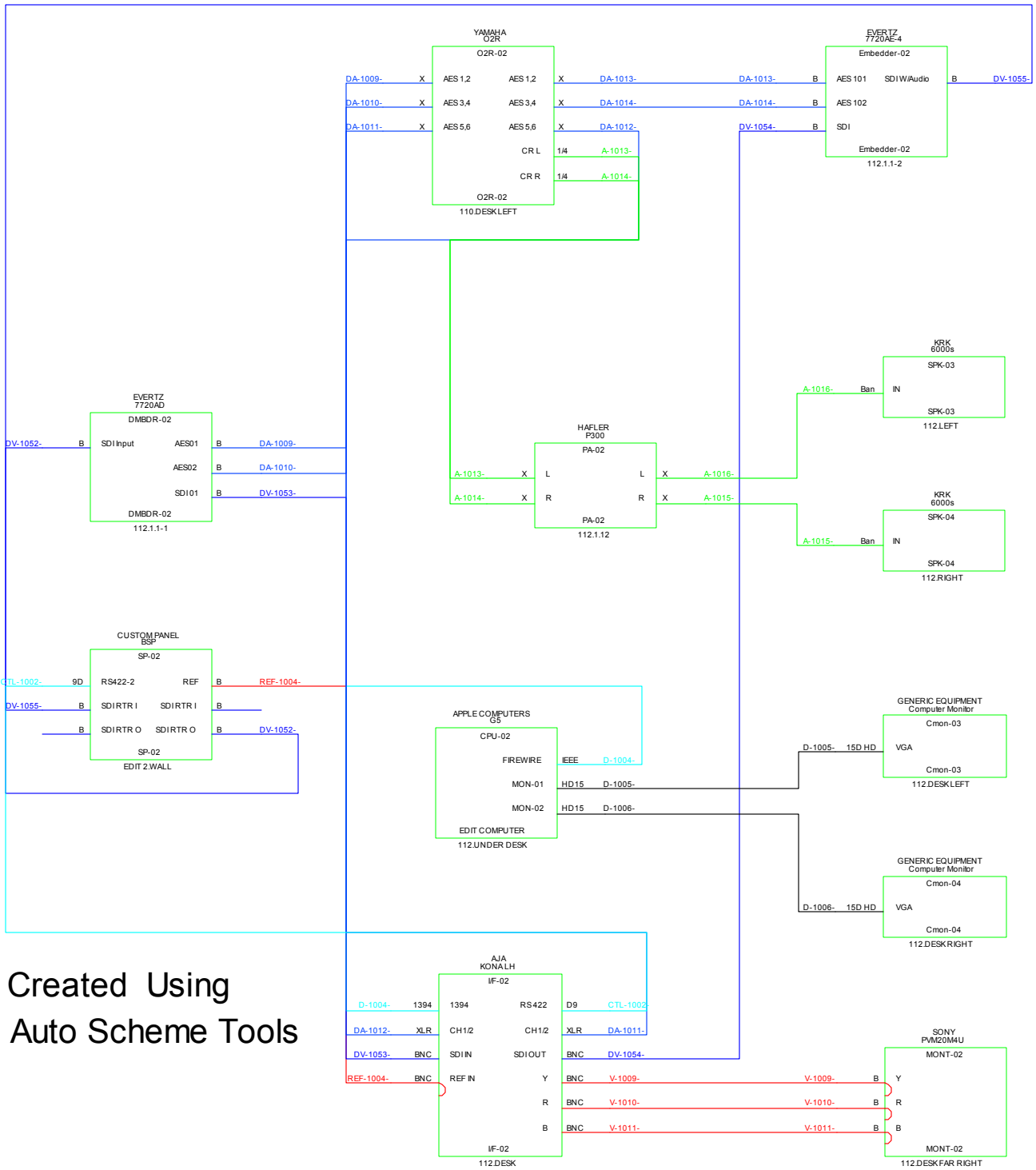


	WireCAD 1112 6th Street South Nampa, Idaho 83651			
	<b>EDIT 1 CTRL SIGNALS</b>			
1.866.273.5298 US 1.661.253.4370 INTL www.wirecad.com	SIZE AV	FSCM NO	DWG NO	REV
	SCALE		SHEET EDIT_1_CTL.dwg	


WALL PANEL

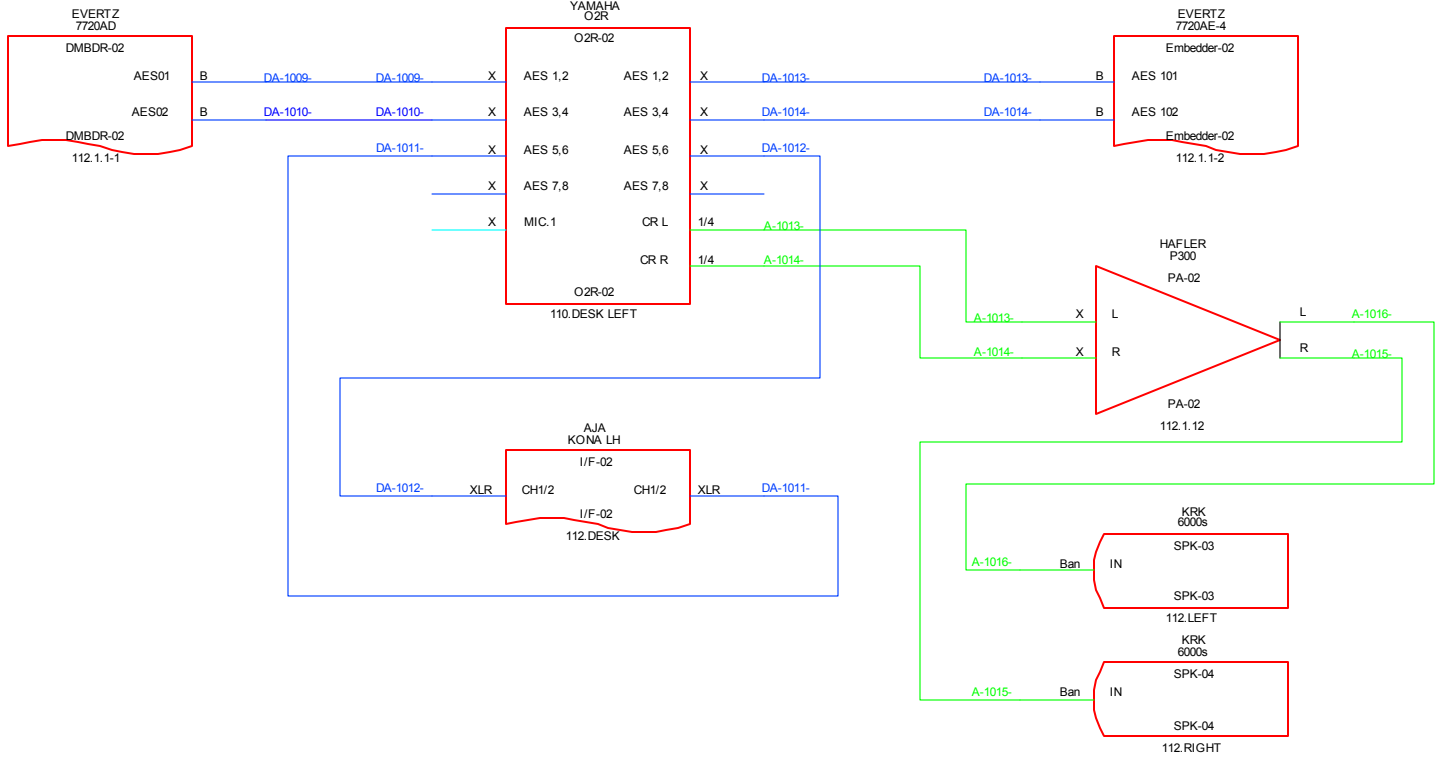



	<b>WireCAD</b> 1112 6th Street South Nampa, Idaho 83651			
	<h1>EDIT 1 VID SIGNALS</h1>			
1.866.273.5298 US 1.661.253.4370 INTL www.wirecad.com	SIZE AV	FSCM NO	DWG NO	REV
SCALE		SHEET EDIT_1_VID.dwg		

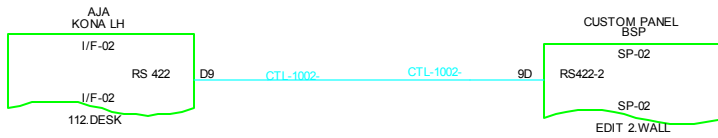



Created Using  
Auto Scheme Tools

	<b>WireCAD</b> 1112 6th Street South Nampa, Idaho 83651			
	<b>EDIT 2 ALL SIGNALS</b>			
1.866.273.5298 US 1.661.253.4370 INTL www.wirecad.com	SIZE <b>AV</b>	FSCM NO	DWG NO	REV
SCALE		SHEET EDIT_2_ALL.dwg		



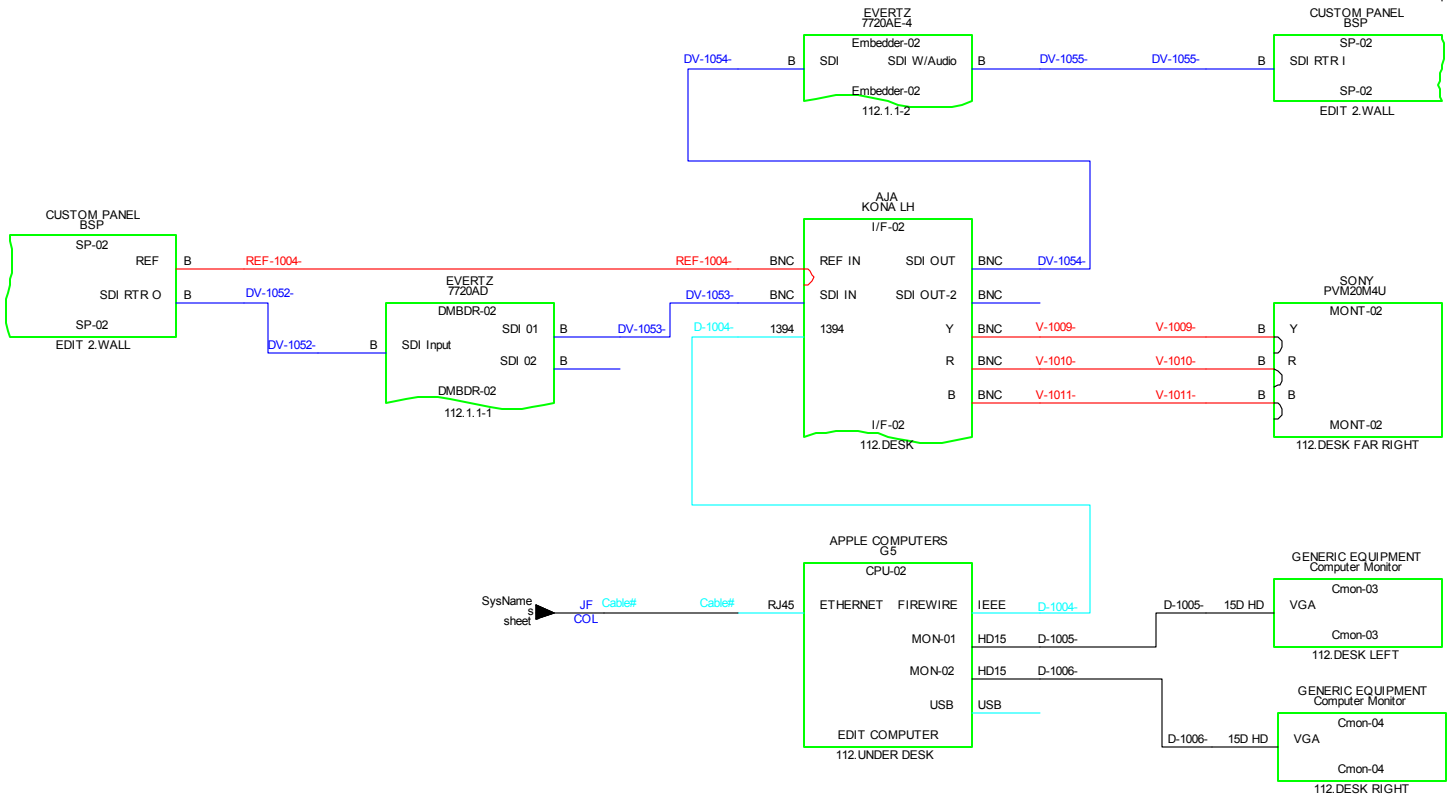
	<b>WireCAD</b> 1112 6th Street South Nampa, Idaho 83651		
	<h1>EDIT 2 AUD SIGNALS</h1>		
1.866.273.5298 US 1.661.253.4370 INTL www.wirecad.com	SIZE AV	FSCM NO	DWG NO
SCALE	SHEET EDIT_2_AUD.dwg		REV




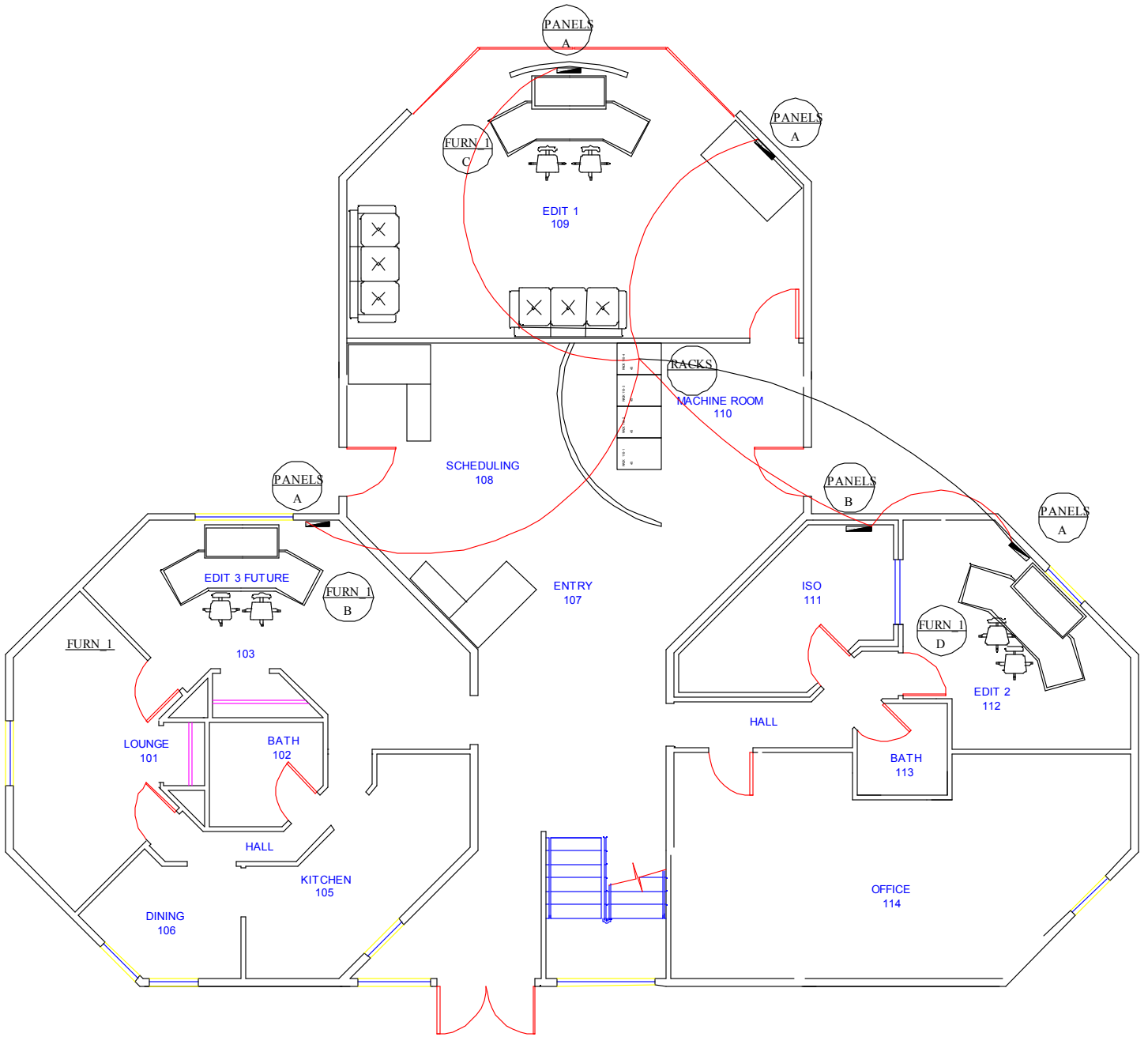
	WireCAD 1112 6th Street South Nampa, Idaho 83651			
	<b>EDIT 2 CTRL SIGNALS</b>			
1.866.273.5298 US 1.661.253.4370 INTL www.wirecad.com	SIZE AV	FSCM NO	DWG NO	REV
	SCALE		SHEET EDIT_2_CTL.dwg	



WALL PANEL



	<b>WireCAD</b> 1112 6th Street South Nampa, Idaho 83651		
	<h1>EDIT 2 VID SIGNALS</h1>		
1.866.273.5298 US 1.661.253.4370 INTL www.wirecad.com	SIZE AV	FSCM NO	DWG NO
SCALE		SHEET EDIT_2_VID.dwg	
		REV	



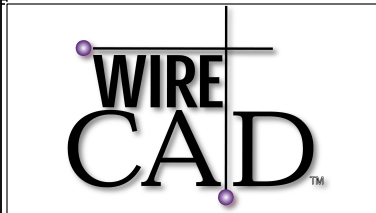
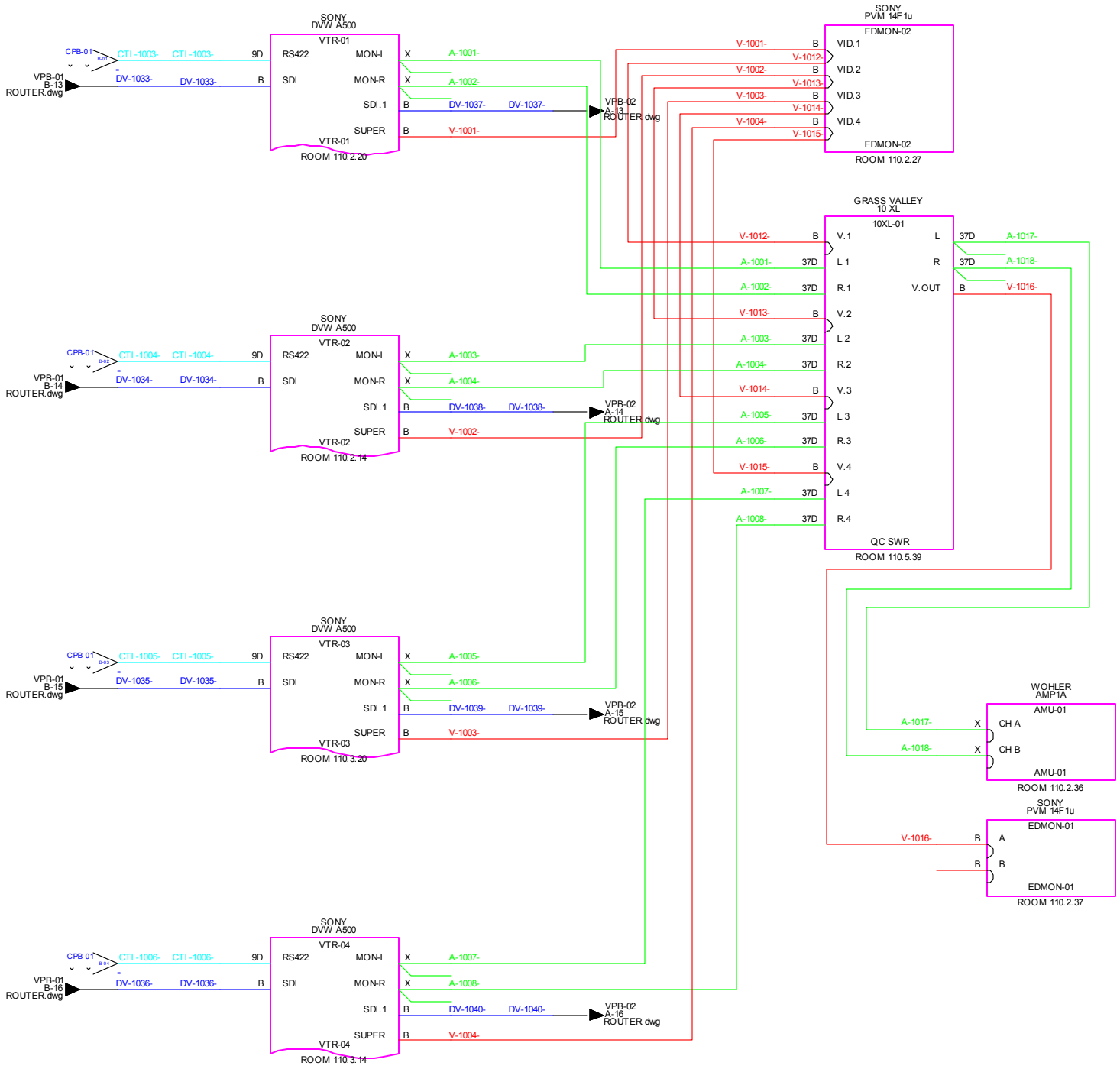
**WIRE  
CAD**™

1.866.273.5298 US  
1.661.253.4370 INTL  
www.wirecad.com

**WireCAD**  
1112 6th Street South  
Nampa, Idaho 83651

# FLOOR PLANS

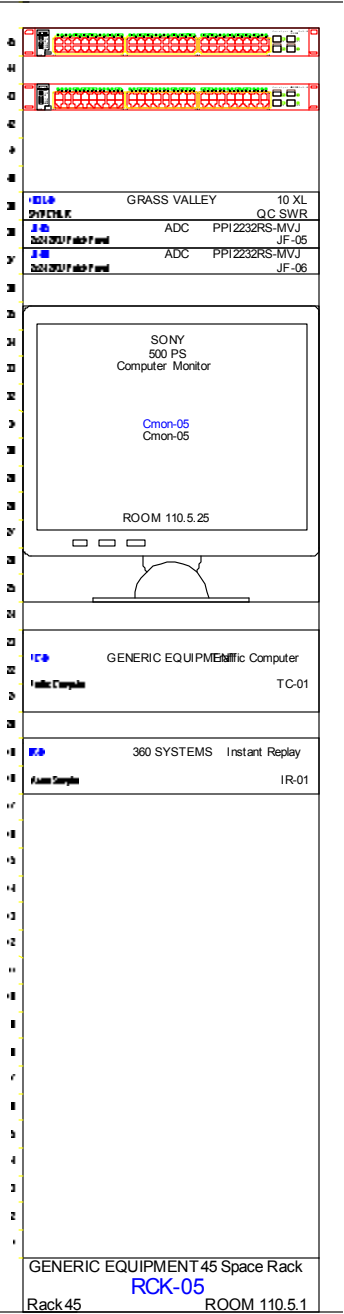
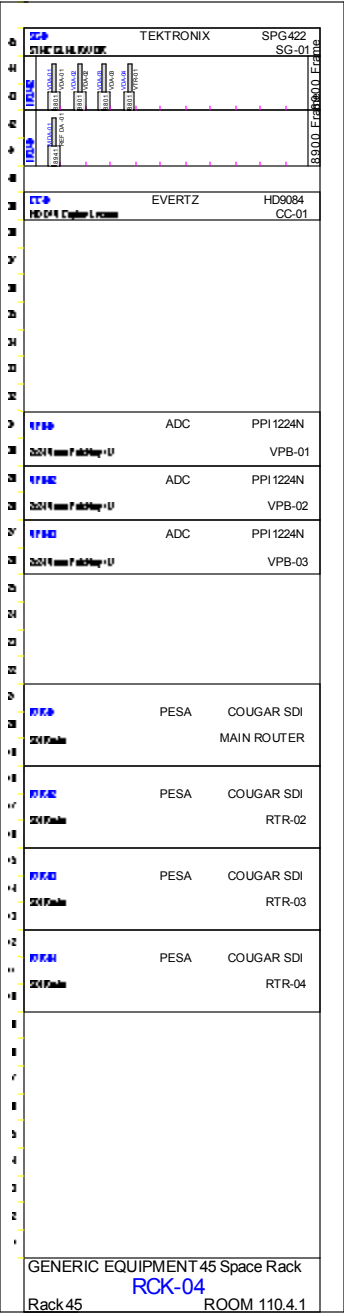
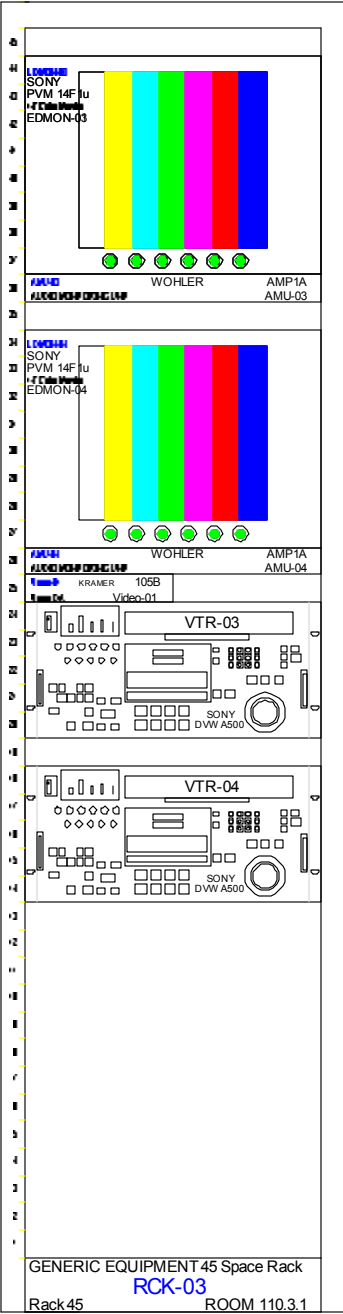
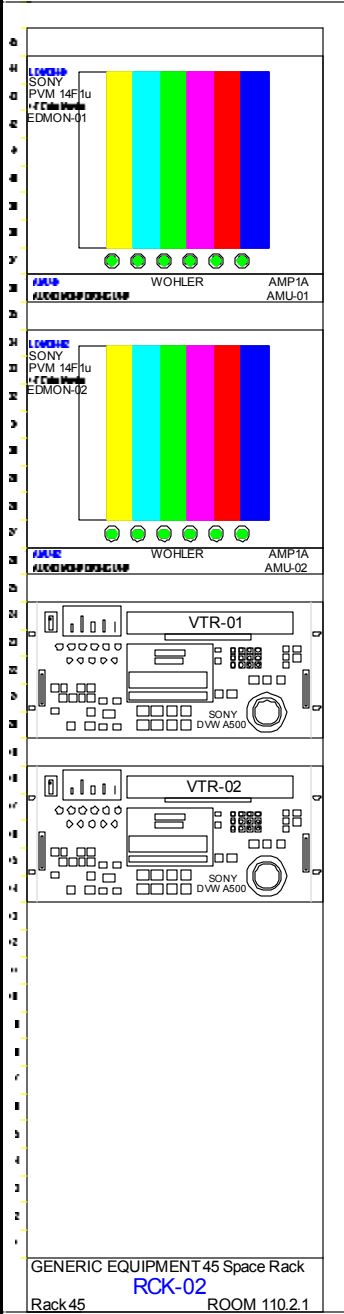
SIZE	FSCM NO	DWG NO	REV
AV			
SCALE	SHEET		FP3.dwg



WireCAD  
 1112 6th Street South  
 Nampa, Idaho 83651

# MACHINE ROOM

1.866.273.5298 US 1.661.253.4370 INTL www.wirecad.com	SIZE	FSCM NO	DWG NO	REV
	AV			
SCALE			SHEET MACHINE_ROOM.dwg	



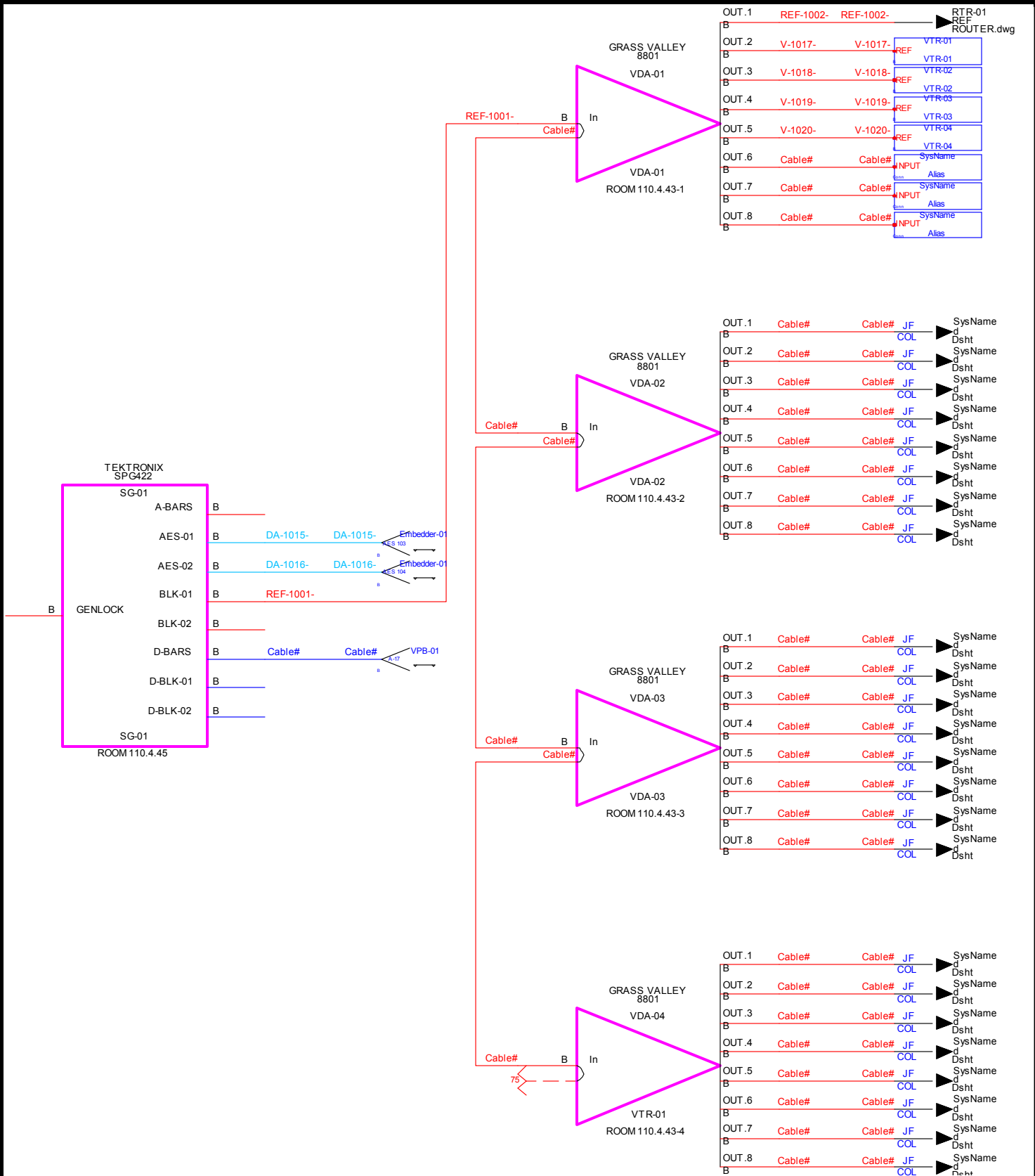
ROOM 110.2


ROOM 110.3

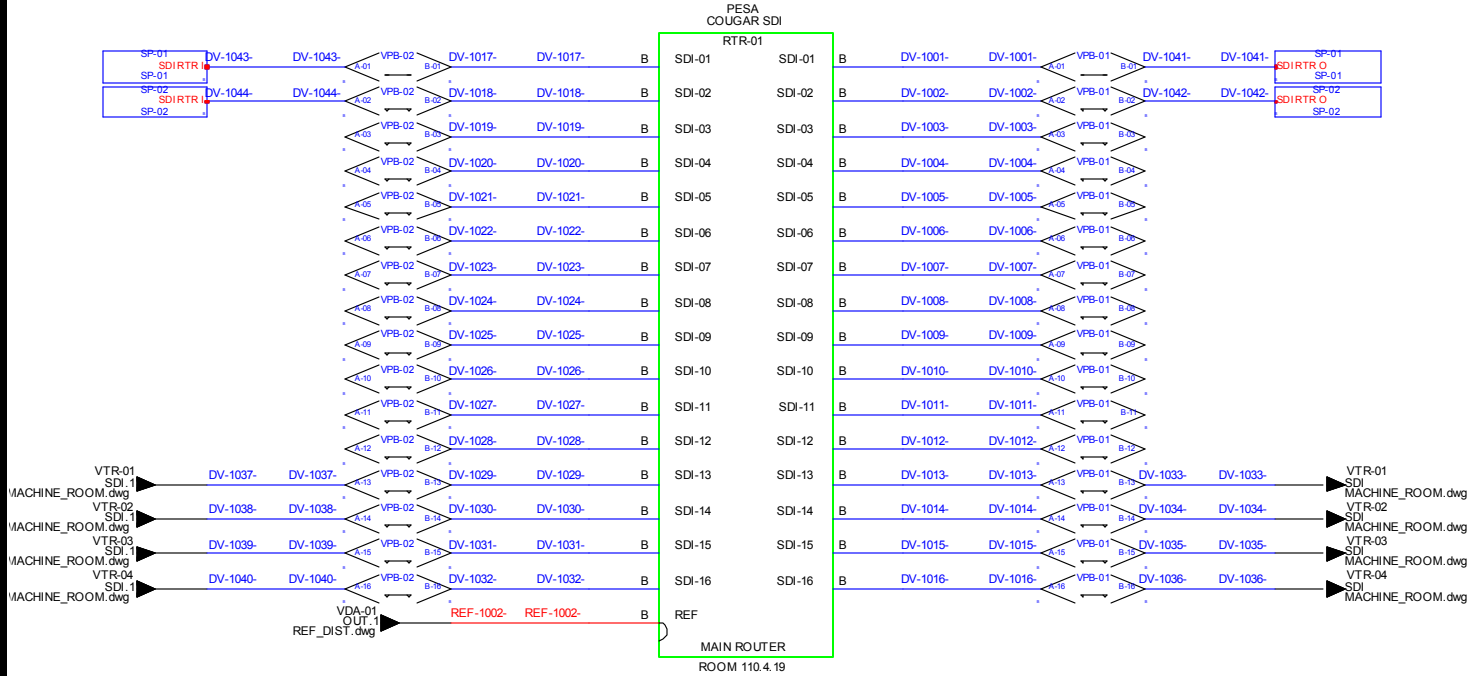
ROOM 110.4


ROOM 110.5

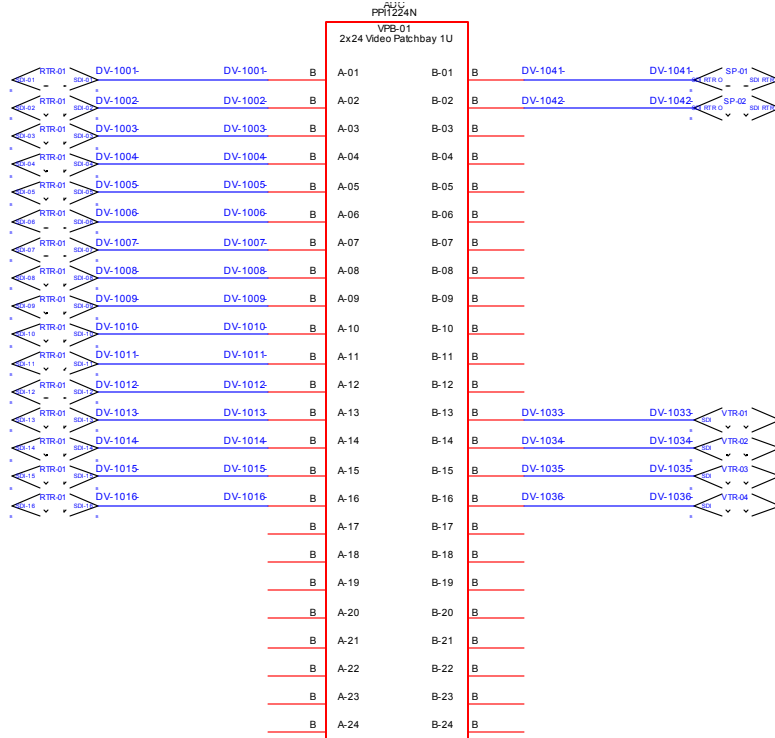
	<b>WireCAD</b> 1112 6th Street South Nampa, Idaho 83651		
	<b>RACK ELEVATIONS</b>		
1.866.273.5298 US 1.661.253.4370 INTL www.wirecad.com	SIZE AV	FSCM NO	DWG NO
SCALE	SHEET RACKS.dwg		REV



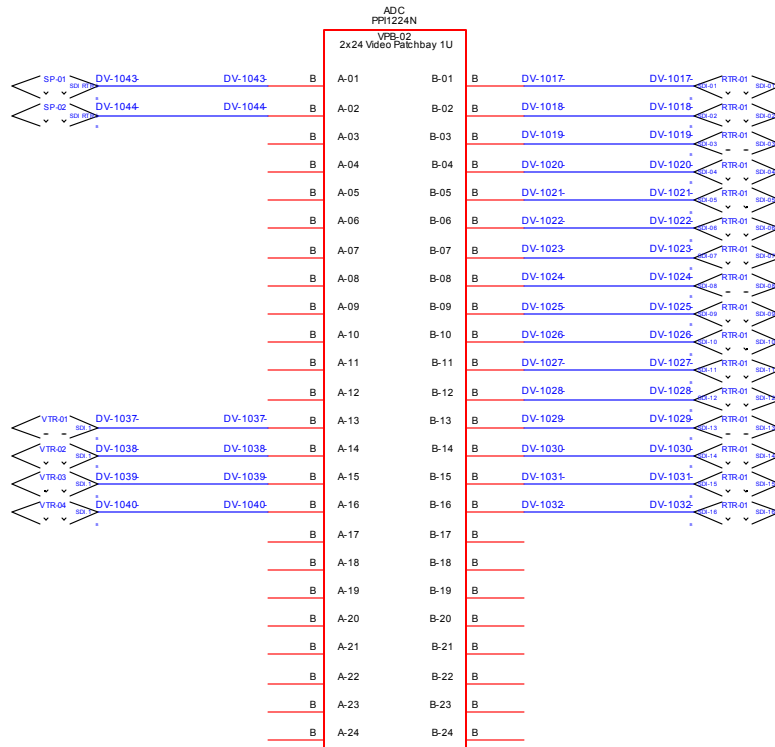
	<b>WireCAD</b> 1112 6th Street South Nampa, Idaho 83651			
	<b>REF DISTRIBUTION</b>			
1.866.273.5298 US	SIZE	FSCM NO	DWG NO	REV
1.661.253.4370 INTL	AV			
www.wirecad.com	SCALE		SHEET REF_DIST.dwg	



	<b>WireCAD</b> 1112 6th Street South Nampa, Idaho 83651			
	<h1>ROUTER</h1>			
1.866.273.5298 US 1.661.253.4370 INTL <a href="http://www.wirecad.com">www.wirecad.com</a>	SIZE <b>AV</b>	FSCM NO	DWG NO	REV
SCALE		SHEET ROUTER.dwg		

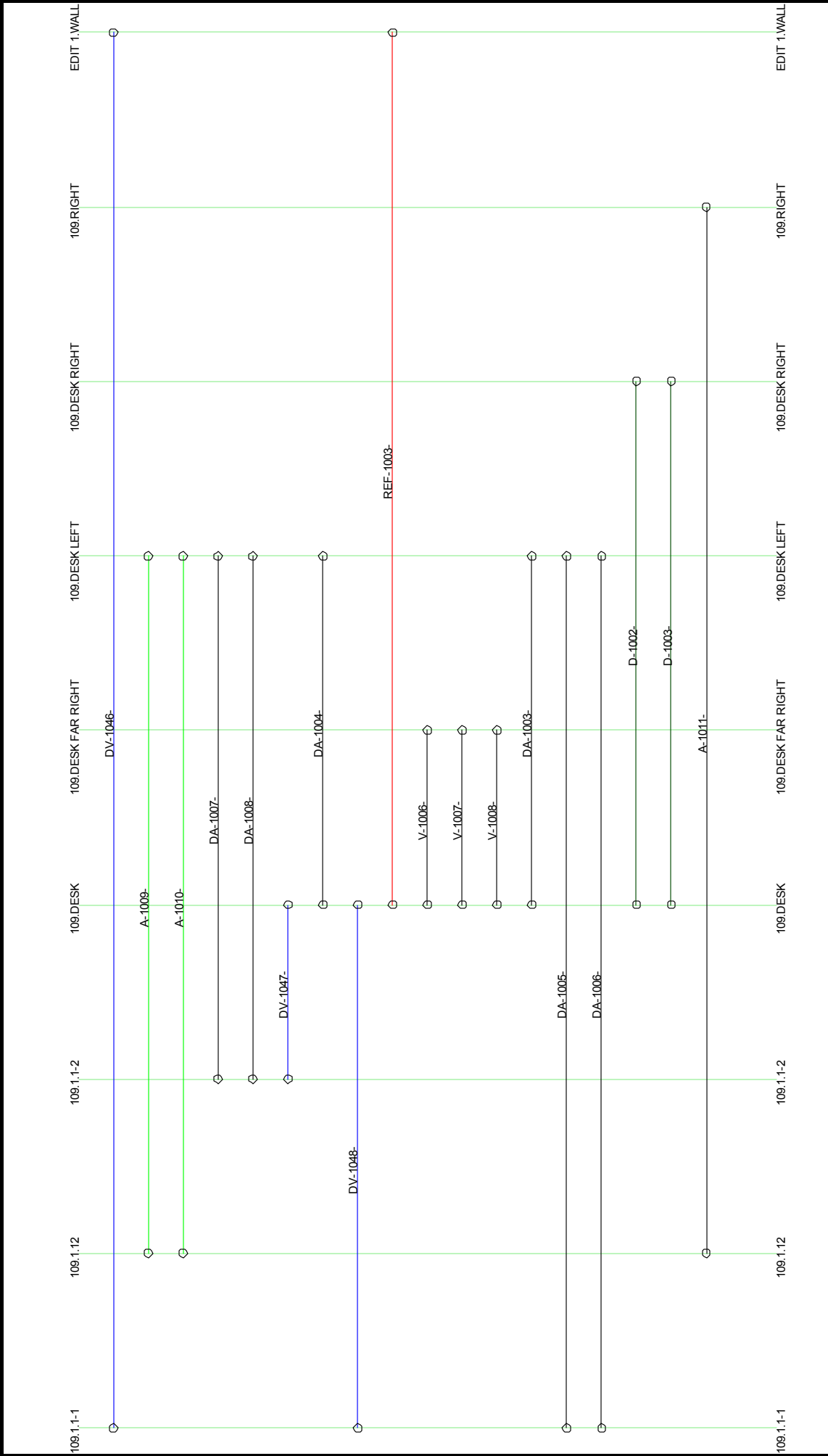


Generated through Visualization



Generated through Visualization

	<b>WireCAD</b> 1112 6th Street South Nampa, Idaho 83651			
	<h1>VISUALIZE SYSTEMS</h1>			
1.866.273.5298 US 1.661.253.4370 INTL www.wirecad.com	SIZE <b>AV</b>	FSCM NO	DWG NO	REV
SCALE	SHEET		VIZ_SYS.dwg	



**WireCAD**  
 1112 6th Street South  
 Nampa, Idaho 83651

# VISUALIZE CABLES

SIZE	FSCMNO	DWG NO	REV
AH			
SCALE		SHEET VIZ_CABLES.dwg	

1.866.273.5298  
 1.661.253.4370  
 www.wirecad.com



# Cable Run Sheet



Number	Source				Destination				Length	Sheet	Sig Type	Cable Type
	Source	Alias	Conn	Location	Destination	Alias	Conn	Location				
A-1001-	VTR-01 > MON-L	VTR-01	X	ROOM 110.2.16	10XL-01>L.1	QC SWR	37D	ROOM 110.2.26	0	MACHINE_ROOM.dwg	AUD	BELDEN-1801A
A-1002-	VTR-01 > MON-R	VTR-01	X	ROOM 110.2.16	10XL-01>R.1	QC SWR	37D	ROOM 110.2.26	0	MACHINE_ROOM.dwg	AUD	BELDEN-1801A
A-1003-	VTR-02 > MON-L	VTR-02	X	ROOM 110.2.14	10XL-01>L.2	QC SWR	37D	ROOM 110.2.26	0	MACHINE_ROOM.dwg	AUD	BELDEN-1801A
A-1004-	VTR-02 > MON-R	VTR-02	X	ROOM 110.2.14	10XL-01>R.2	QC SWR	37D	ROOM 110.2.26	0	MACHINE_ROOM.dwg	AUD	BELDEN-1801A
A-1005-	VTR-03 > MON-L	VTR-03	X	ROOM 110.3.16	10XL-01>L.3	QC SWR	37D	ROOM 110.2.26	0	MACHINE_ROOM.dwg	AUD	BELDEN-1801A
A-1006-	VTR-03 > MON-R	VTR-03	X	ROOM 110.3.16	10XL-01>R.3	QC SWR	37D	ROOM 110.2.26	0	MACHINE_ROOM.dwg	AUD	BELDEN-1801A
A-1007-	VTR-04 > MON-L	VTR-04	X	ROOM 110.3.14	10XL-01>L.4	QC SWR	37D	ROOM 110.2.26	0	MACHINE_ROOM.dwg	AUD	BELDEN-1801A
A-1008-	VTR-04 > MON-R	VTR-04	X	ROOM 110.3.14	10XL-01>R.4	QC SWR	37D	ROOM 110.2.26	0	MACHINE_ROOM.dwg	AUD	BELDEN-1801A
A-1009-	O2R-01 > CR L	O2R-01	1/4	109.DESK LEFT	PA-01>L	PA-01	X	109.1.12	0	EDIT_1_AUD.dwg	AUD	BELDEN-1801A
A-1010-	O2R-01 > CR R	O2R-01	1/4	109.DESK LEFT	PA-01>R	PA-01	X	109.1.12	0	EDIT_1_AUD.dwg	AUD	BELDEN-1801A
A-1011-	PA-01 > R	PA-01	X	109.1.12	SPK-02>IN	SPK-02	Ban	109.RIGHT	0	EDIT_1_AUD.dwg	BAN	BELDEN-1505A
A-1012-	PA-01 > L	PA-01	X	109.1.12	SPK-01>IN	SPK-01	Ban	109.LEFT	0	EDIT_1_AUD.dwg	BAN	BELDEN-1505A
A-1013-	O2R-02 > CR L	O2R-02	1/4	110.DESK LEFT	PA-02>L	PA-02	X	112.1.12	0	EDIT_2_AUD.dwg	AUD	BELDEN-1801A
A-1014-	O2R-02 > CR R	O2R-02	1/4	110.DESK LEFT	PA-02>R	PA-02	X	112.1.12	0	EDIT_2_AUD.dwg	AUD	BELDEN-1801A
A-1015-	PA-02 > R	PA-02	X	112.1.12	SPK-04>IN	SPK-04	Ban	112.RIGHT	0	EDIT_2_AUD.dwg	BAN	BELDEN-1505A
A-1016-	PA-02 > L	PA-02	X	112.1.12	SPK-03>IN	SPK-03	Ban	112.LEFT	0	EDIT_2_AUD.dwg	BAN	BELDEN-1505A
A-1017-	10XL-01 > L	QC SWR	37D	ROOM 110.2.26	AMU-01>CH A	AMU-01	X	ROOM 110.2.27	0	MACHINE_ROOM.dwg	AUD	BELDEN-1801A
A-1018-	10XL-01 > R	QC SWR	37D	ROOM 110.2.26	AMU-01>CH B	AMU-01	X	ROOM 110.2.27	0	MACHINE_ROOM.dwg	AUD	BELDEN-1801A
CTL-1001-	I/F-01 > RS 422	I/F-01	D9	109.DESK	SP-01>RS422-2	SP-01	9D	EDIT 1.WALL	0	EDIT_1_CTL.dwg	RS422	BELDEN-1505A
CTL-1002-	I/F-02 > RS 422	I/F-02	D9	112.DESK	SP-02>RS422-2	SP-02	9D	EDIT 2.WALL	0	EDIT_2_CTL.dwg	RS422	BELDEN-1505A

Number	Source				Destination				Length	Sheet	Sig Type	Cable Type
	Source	Alias	Conn	Location	Destination	Alias	Conn	Location				
CTL-1003-	CPB-01 > B-01	CPB-01	D9	Location.Elevation	VTR-01>RS422	VTR-01	9D	ROOM 110.2.16	0	MACHINE_ROOM.dwg	CNTL	BELDEN-1505A
CTL-1004-	CPB-01 > B-02	CPB-01	D9	Location.Elevation	VTR-02>RS422	VTR-02	9D	ROOM 110.2.14	0	MACHINE_ROOM.dwg	CNTL	BELDEN-1505A
CTL-1005-	CPB-01 > B-03	CPB-01	D9	Location.Elevation	VTR-03>RS422	VTR-03	9D	ROOM 110.3.16	0	MACHINE_ROOM.dwg	CNTL	BELDEN-1505A
CTL-1006-	CPB-01 > B-04	CPB-01	D9	Location.Elevation	VTR-04>RS422	VTR-04	9D	ROOM 110.3.14	0	MACHINE_ROOM.dwg	CNTL	BELDEN-1505A
D-1001-	CPU-01 > FIREWIRE	EDIT COMPUTER	IEEE	109.DESK	I/F-01>1394	I/F-01	1394	109.DESK	0	EDIT_1_VID.dwg	DATA	BELDEN-8723
D-1002-	CPU-01 > MON-01	EDIT COMPUTER	HD15	109.DESK	Cmon-01>VGA	Cmon-01	15D HD	109.DESK RIGHT	0	EDIT_1_VID.dwg	VGA	BELDEN-1505A
D-1003-	CPU-01 > MON-02	EDIT COMPUTER	HD15	109.DESK	Cmon-02>VGA	Cmon-02	15D HD	109.DESK RIGHT	0	EDIT_1_VID.dwg	VGA	BELDEN-1505A
D-1004-	CPU-02 > FIREWIRE	EDIT COMPUTER	IEEE	112.UNDER DESK	I/F-02>1394	I/F-02	1394	112.DESK	0	EDIT_2_VID.dwg	DATA	BELDEN-8723
D-1005-	CPU-02 > MON-01	EDIT COMPUTER	HD15	112.UNDER DESK	Cmon-03>VGA	Cmon-03	15D HD	112.DESK LEFT	0	EDIT_2_VID.dwg	VGA	BELDEN-1505A
D-1006-	CPU-02 > MON-02	EDIT COMPUTER	HD15	112.UNDER DESK	Cmon-04>VGA	Cmon-04	15D HD	112.DESK RIGHT	0	EDIT_2_VID.dwg	VGA	BELDEN-1505A
DA-1003-	I/F-01 > CH1/2	I/F-01	XLR	109.DESK	O2R-01>AES 5,6	O2R-01	X	109.DESK LEFT	0	EDIT_1_AUD.dwg	AES	BELDEN-1505A 003 ORG
DA-1004-	O2R-01 > AES 5,6	O2R-01	X	109.DESK LEFT	I/F-01>CH1/2	I/F-01	XLR	109.DESK	0	EDIT_1_AUD.dwg	AES	BELDEN-1505A 003 ORG
DA-1005-	DMBDR-01 > AES01	SDI-AES DE-EMBEDDER	B	109.1.1-1	O2R-01>AES 1,2	O2R-01	X	109.DESK LEFT	0	EDIT_1_AUD.dwg	AES	BELDEN-1505A 003 ORG
DA-1006-	DMBDR-01 > AES02	SDI-AES DE-EMBEDDER	B	109.1.1-1	O2R-01>AES 3,4	O2R-01	X	109.DESK LEFT	0	EDIT_1_AUD.dwg	AES	BELDEN-1505A 003 ORG
DA-1007-	O2R-01 > AES 1,2	O2R-01	X	109.DESK LEFT	Embedder-01>AES 101	AES-SDI EMBEDDER	B	109.1.1-2	0	EDIT_1_AUD.dwg	AES	BELDEN-1505A 003 ORG
DA-1008-	O2R-01 > AES 3,4	O2R-01	X	109.DESK LEFT	Embedder-01>AES 102	AES-SDI EMBEDDER	B	109.1.1-2	0	EDIT_1_AUD.dwg	AES	BELDEN-1505A 003 ORG
DA-1009-	DMBDR-02 > AES01	DMBDR-02	B	112.1.1-1	O2R-02>AES 1,2	O2R-02	X	110.DESK LEFT	0	EDIT_2_AUD.dwg	AES	BELDEN-1505A 003 ORG
DA-1010-	DMBDR-02 > AES02	DMBDR-02	B	112.1.1-1	O2R-02>AES 3,4	O2R-02	X	110.DESK LEFT	0	EDIT_2_AUD.dwg	AES	BELDEN-1505A 003 ORG
DA-1011-	I/F-02 > CH1/2	I/F-02	XLR	112.DESK	O2R-02>AES 5,6	O2R-02	X	110.DESK LEFT	0	EDIT_2_AUD.dwg	AES	BELDEN-1505A 003 ORG
DA-1012-	O2R-02 > AES 5,6	O2R-02	X	110.DESK LEFT	I/F-02>CH1/2	I/F-02	XLR	112.DESK	0	EDIT_2_AUD.dwg	AES	BELDEN-1505A 003 ORG
DA-1013-	O2R-02 > AES 1,2	O2R-02	X	110.DESK LEFT	Embedder-02>AES 101	Embedder-02	B	112.1.1-2	0	EDIT_2_AUD.dwg	AES	BELDEN-1505A 003 ORG



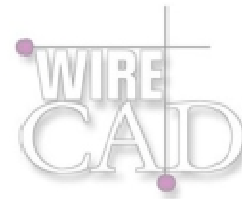
Number	Source				Destination				Length	Sheet	Sig Type	Cable Type
	Source	Alias	Conn	Location	Destination	Alias	Conn	Location				
DA-1014-	O2R-02 > AES 3,4	O2R-02	X	110.DESK LEFT	Embedder-02>AES 102	Embedder-02	B	112.1.1-2	0	EDIT_2_AUD.dwg	AES	BELDEN-1505A 003 ORG
DA-1015-	SG-01 > AES-01	SG-01	B	ROOM 110.4.45	Embedder-01>AES 103	AES-SDI EMBEDDER	B	109.1.1-2	0	REF_DIST.dwg	AES	BELDEN-1505A 003 ORG
DA-1016-	SG-01 > AES-02	SG-01	B	ROOM 110.4.45	Embedder-01>AES 104	AES-SDI EMBEDDER	B	109.1.1-2	0	REF_DIST.dwg	AES	BELDEN-1505A 003 ORG
DV-1001-	RTR-01 > SDI-01	MAIN ROUTER	B	ROOM 110.4.1	VPB-01>A-01	VPB-01	B	ROOM 110.4.30	0	ROUTER.dwg	SDI	BELDEN-1505A
DV-1002-	RTR-01 > SDI-02	MAIN ROUTER	B	ROOM 110.4.1	VPB-01>A-02	VPB-01	B	ROOM 110.4.30	0	ROUTER.dwg	SDI	BELDEN-1505A
DV-1003-	RTR-01 > SDI-03	MAIN ROUTER	B	ROOM 110.4.1	VPB-01>A-03	VPB-01	B	ROOM 110.4.30	0	ROUTER.dwg	SDI	BELDEN-1505A
DV-1004-	RTR-01 > SDI-04	MAIN ROUTER	B	ROOM 110.4.1	VPB-01>A-04	VPB-01	B	ROOM 110.4.30	0	ROUTER.dwg	SDI	BELDEN-1505A
DV-1005-	RTR-01 > SDI-05	MAIN ROUTER	B	ROOM 110.4.1	VPB-01>A-05	VPB-01	B	ROOM 110.4.30	0	ROUTER.dwg	SDI	BELDEN-1505A
DV-1006-	RTR-01 > SDI-06	MAIN ROUTER	B	ROOM 110.4.1	VPB-01>A-06	VPB-01	B	ROOM 110.4.30	0	ROUTER.dwg	SDI	BELDEN-1505A
DV-1007-	RTR-01 > SDI-07	MAIN ROUTER	B	ROOM 110.4.1	VPB-01>A-07	VPB-01	B	ROOM 110.4.30	0	ROUTER.dwg	SDI	BELDEN-1505A
DV-1008-	RTR-01 > SDI-08	MAIN ROUTER	B	ROOM 110.4.1	VPB-01>A-08	VPB-01	B	ROOM 110.4.30	0	ROUTER.dwg	SDI	BELDEN-1505A
DV-1009-	RTR-01 > SDI-09	MAIN ROUTER	B	ROOM 110.4.1	VPB-01>A-09	VPB-01	B	ROOM 110.4.30	0	ROUTER.dwg	SDI	BELDEN-1505A
DV-1010-	RTR-01 > SDI-10	MAIN ROUTER	B	ROOM 110.4.1	VPB-01>A-10	VPB-01	B	ROOM 110.4.30	0	ROUTER.dwg	SDI	BELDEN-1505A
DV-1011-	RTR-01 > SDI-11	MAIN ROUTER	B	ROOM 110.4.1	VPB-01>A-11	VPB-01	B	ROOM 110.4.30	0	ROUTER.dwg	SDI	BELDEN-1505A
DV-1012-	RTR-01 > SDI-12	MAIN ROUTER	B	ROOM 110.4.1	VPB-01>A-12	VPB-01	B	ROOM 110.4.30	0	ROUTER.dwg	SDI	BELDEN-1505A
DV-1013-	RTR-01 > SDI-13	MAIN ROUTER	B	ROOM 110.4.1	VPB-01>A-13	VPB-01	B	ROOM 110.4.30	0	ROUTER.dwg	SDI	BELDEN-1505A
DV-1014-	RTR-01 > SDI-14	MAIN ROUTER	B	ROOM 110.4.1	VPB-01>A-14	VPB-01	B	ROOM 110.4.30	0	ROUTER.dwg	SDI	BELDEN-1505A
DV-1015-	RTR-01 > SDI-15	MAIN ROUTER	B	ROOM 110.4.1	VPB-01>A-15	VPB-01	B	ROOM 110.4.30	0	ROUTER.dwg	SDI	BELDEN-1505A
DV-1016-	RTR-01 > SDI-16	MAIN ROUTER	B	ROOM 110.4.1	VPB-01>A-16	VPB-01	B	ROOM 110.4.30	0	ROUTER.dwg	SDI	BELDEN-1505A
DV-1017-	VPB-02 > B-01	VPB-02	B	ROOM 110.4.28	RTR-01>SDI-01	MAIN ROUTER	B	ROOM 110.4.1	0	ROUTER.dwg	SDI	BELDEN-1505A
DV-1018-	VPB-02 > B-02	VPB-02	B	ROOM 110.4.28	RTR-01>SDI-02	MAIN ROUTER	B	ROOM 110.4.1	0	ROUTER.dwg	SDI	BELDEN-1505A
DV-1019-	VPB-02 > B-03	VPB-02	B	ROOM 110.4.28	RTR-01>SDI-03	MAIN ROUTER	B	ROOM 110.4.1	0	ROUTER.dwg	SDI	BELDEN-1505A
DV-1020-	VPB-02 > B-04	VPB-02	B	ROOM 110.4.28	RTR-01>SDI-04	MAIN ROUTER	B	ROOM 110.4.1	0	ROUTER.dwg	SDI	BELDEN-1505A
DV-1021-	VPB-02 > B-05	VPB-02	B	ROOM 110.4.28	RTR-01>SDI-05	MAIN ROUTER	B	ROOM 110.4.1	0	ROUTER.dwg	SDI	BELDEN-1505A
DV-1022-	VPB-02 > B-06	VPB-02	B	ROOM 110.4.28	RTR-01>SDI-06	MAIN ROUTER	B	ROOM 110.4.1	0	ROUTER.dwg	SDI	BELDEN-1505A

Number	Source				Destination				Length	Sheet	Sig Type	Cable Type
	Source	Alias	Conn	Location	Destination	Alias	Conn	Location				
DV-1023-	VPB-02 > B-07	VPB-02	B	ROOM 110.4.28	RTR-01>SDI-07	MAIN ROUTER	B	ROOM 110.4.1	0	ROUTER.dwg	SDI	BELDEN-1505A
DV-1024-	VPB-02 > B-08	VPB-02	B	ROOM 110.4.28	RTR-01>SDI-08	MAIN ROUTER	B	ROOM 110.4.1	0	ROUTER.dwg	SDI	BELDEN-1505A
DV-1025-	VPB-02 > B-09	VPB-02	B	ROOM 110.4.28	RTR-01>SDI-09	MAIN ROUTER	B	ROOM 110.4.1	0	ROUTER.dwg	SDI	BELDEN-1505A
DV-1026-	VPB-02 > B-10	VPB-02	B	ROOM 110.4.28	RTR-01>SDI-10	MAIN ROUTER	B	ROOM 110.4.1	0	ROUTER.dwg	SDI	BELDEN-1505A
DV-1027-	VPB-02 > B-11	VPB-02	B	ROOM 110.4.28	RTR-01>SDI-11	MAIN ROUTER	B	ROOM 110.4.1	0	ROUTER.dwg	SDI	BELDEN-1505A
DV-1028-	VPB-02 > B-12	VPB-02	B	ROOM 110.4.28	RTR-01>SDI-12	MAIN ROUTER	B	ROOM 110.4.1	0	ROUTER.dwg	SDI	BELDEN-1505A
DV-1029-	VPB-02 > B-13	VPB-02	B	ROOM 110.4.28	RTR-01>SDI-13	MAIN ROUTER	B	ROOM 110.4.1	0	ROUTER.dwg	SDI	BELDEN-1505A
DV-1030-	VPB-02 > B-14	VPB-02	B	ROOM 110.4.28	RTR-01>SDI-14	MAIN ROUTER	B	ROOM 110.4.1	0	ROUTER.dwg	SDI	BELDEN-1505A
DV-1031-	VPB-02 > B-15	VPB-02	B	ROOM 110.4.28	RTR-01>SDI-15	MAIN ROUTER	B	ROOM 110.4.1	0	ROUTER.dwg	SDI	BELDEN-1505A
DV-1032-	VPB-02 > B-16	VPB-02	B	ROOM 110.4.28	RTR-01>SDI-16	MAIN ROUTER	B	ROOM 110.4.1	0	ROUTER.dwg	SDI	BELDEN-1505A
DV-1033-	VPB-01 > B-13	VPB-01	B	ROOM 110.4.30	VTR-01>SDI	VTR-01	B	ROOM 110.2.16	0	ROUTER.dwg	SDI	BELDEN-1505A
DV-1034-	VPB-01 > B-14	VPB-01	B	ROOM 110.4.30	VTR-02>SDI	VTR-02	B	ROOM 110.2.14	0	ROUTER.dwg	SDI	BELDEN-1505A
DV-1035-	VPB-01 > B-15	VPB-01	B	ROOM 110.4.30	VTR-03>SDI	VTR-03	B	ROOM 110.3.16	0	ROUTER.dwg	SDI	BELDEN-1505A
DV-1036-	VPB-01 > B-16	VPB-01	B	ROOM 110.4.30	VTR-04>SDI	VTR-04	B	ROOM 110.3.14	0	ROUTER.dwg	SDI	BELDEN-1505A
DV-1037-	VTR-01 > SDI.1	VTR-01	B	ROOM 110.2.16	VPB-02>A-13	VPB-02	B	ROOM 110.4.28	0	MACHINE_ROOM.dwg	SDI	BELDEN-1505A
DV-1038-	VTR-02 > SDI.1	VTR-02	B	ROOM 110.2.14	VPB-02>A-14	VPB-02	B	ROOM 110.4.28	0	MACHINE_ROOM.dwg	SDI	BELDEN-1505A
DV-1039-	VTR-03 > SDI.1	VTR-03	B	ROOM 110.3.16	VPB-02>A-15	VPB-02	B	ROOM 110.4.28	0	MACHINE_ROOM.dwg	SDI	BELDEN-1505A
DV-1040-	VTR-04 > SDI.1	VTR-04	B	ROOM 110.3.14	VPB-02>A-16	VPB-02	B	ROOM 110.4.28	0	MACHINE_ROOM.dwg	SDI	BELDEN-1505A
DV-1041-	VPB-01 > B-01	VPB-01	B	ROOM 110.4.30	SP-01>SDI RTR O	SP-01	B	EDIT 1.WALL	0	ROUTER.dwg	SDI	BELDEN-1505A
DV-1042-	VPB-01 > B-02	VPB-01	B	ROOM 110.4.30	SP-02>SDI RTR O	SP-02	B	EDIT 2.WALL	0	ROUTER.dwg	SDI	BELDEN-1505A
DV-1043-	SP-01 > SDI RTR I	SP-01	B	EDIT 1.WALL	VPB-02>A-01	VPB-02	B	ROOM 110.4.28	0	ROUTER.dwg	SDI	BELDEN-1505A
DV-1044-	SP-02 > SDI RTR I	SP-02	B	EDIT 2.WALL	VPB-02>A-02	VPB-02	B	ROOM 110.4.28	0	ROUTER.dwg	SDI	BELDEN-1505A
DV-1046-	SP-01 > SDI RTR O	SP-01	B	EDIT 1.WALL	DMBDR-01>SDI Input	SDI-AES DE-EMBEDDER	B	109.1.1-1	0	EDIT_1_VID.dwg	SDI	BELDEN-1505A
DV-1047-	I/F-01 > SDI OUT	I/F-01	BNC	109.DESK	Embedder-01>SDI	AES-SDI EMBEDDER	B	109.1.1-2	0	EDIT_1_VID.dwg	SDI	BELDEN-1505A



Number	Source				Destination				Length	Sheet	Sig Type	Cable Type
	Source	Alias	Conn	Location	Destination	Alias	Conn	Location				
DV-1048-	DMBDR-01 > SDI 01	SDI-AES DE-EMBEDDER	B	109.1.1-1	I/F-01>SDI IN	I/F-01	BNC	109.DESK	0	EDIT_1_VID.dwg	DGV	BELDEN-1694A - Black
DV-1049-	Embedder-01 > SDI W/Audio	AES-SDI EMBEDDER	B	109.1.1-2	SP-01>SDI RTR I	SP-01	B	EDIT 1.WALL	0	EDIT_1_VID.dwg	DGV	BELDEN-1694A - Black
DV-1052-	SP-02 > SDI RTR O	SP-02	B	EDIT 2.WALL	DMBDR-02>SDI Input	DMBDR-02	B	112.1.1-1	0	EDIT_2_VID.dwg	SDI	BELDEN-1505A
DV-1053-	DMBDR-02 > SDI 01	DMBDR-02	B	112.1.1-1	I/F-02>SDI IN	I/F-02	BNC	112.DESK	0	EDIT_2_VID.dwg	DGV	BELDEN-1694A - Black
DV-1054-	I/F-02 > SDI OUT	I/F-02	BNC	112.DESK	Embedder-02>SDI	Embedder-02	B	112.1.1-2	0	EDIT_2_VID.dwg	SDI	BELDEN-1505A
DV-1055-	Embedder-02 > SDI W/Audio	Embedder-02	B	112.1.1-2	SP-02>SDI RTR I	SP-02	B	EDIT 2.WALL	0	EDIT_2_VID.dwg	DGV	BELDEN-1694A - Black
REF-1001-	SG-01 > BLK-01	SG-01	B	ROOM 110.4.45	VDA-01>In	VDA-01	B	ROOM 110.4.43-1	0	REF_DIST.dwg	REF	BELDEN-1855
REF-1002-	VDA-01 > OUT.1	VDA-01	B	ROOM 110.4.43-1	RTR-01>REF	MAIN ROUTER	B	ROOM 110.4.1	0	REF_DIST.dwg	REF	BELDEN-1505A
REF-1003-	SP-01 > REF	SP-01	B	EDIT 1.WALL	I/F-01>REF IN	I/F-01	BNC	109.DESK	0	EDIT_1_VID.dwg	REF	BELDEN-1855
REF-1004-	SP-02 > REF	SP-02	B	EDIT 2.WALL	I/F-02>REF IN	I/F-02	BNC	112.DESK	0	EDIT_2_VID.dwg	REF	BELDEN-1855
REF-1004-	SP-02 > REF	SP-02	B	EDIT 2.WALL	I/F-02>REF IN	I/F-02	BNC	112.DESK	0	EDIT_2_ALL.dwg	REF	BELDEN-1855
V-1001-	VTR-01 > SUPER	VTR-01	B	ROOM 110.2.16	MON-01>VID.1	MON-01	B	ROOM 110.2.43	0	MACHINE_ROOM.dwg	VID	BELDEN-1505A
V-1002-	VTR-02 > SUPER	VTR-02	B	ROOM 110.2.14	MON-01>VID.2	MON-01	B	ROOM 110.2.43	0	MACHINE_ROOM.dwg	VID	BELDEN-1505A
V-1003-	VTR-03 > SUPER	VTR-03	B	ROOM 110.3.16	MON-01>VID.3	MON-01	B	ROOM 110.2.43	0	MACHINE_ROOM.dwg	VID	BELDEN-1505A
V-1004-	VTR-04 > SUPER	VTR-04	B	ROOM 110.3.14	MON-01>VID.4	MON-01	B	ROOM 110.2.43	0	MACHINE_ROOM.dwg	VID	BELDEN-1505A
V-1006-	I/F-01 > Y	I/F-01	BNC	109.DESK	MONT-01>Y	MONT-01	B	109.DESK FAR RIGHT	0	EDIT_1_VID.dwg	YRB	BELDEN-1520A
V-1007-	I/F-01 > R	I/F-01	BNC	109.DESK	MONT-01>R	MONT-01	B	109.DESK FAR RIGHT	0	EDIT_1_VID.dwg	YRB	BELDEN-1520A
V-1008-	I/F-01 > B	I/F-01	BNC	109.DESK	MONT-01>B	MONT-01	B	109.DESK FAR RIGHT	0	EDIT_1_VID.dwg	YRB	BELDEN-1520A
V-1009-	I/F-02 > Y	I/F-02	BNC	112.DESK	MONT-02>Y	MONT-02	B	112.DESK FAR RIGHT	0	EDIT_2_VID.dwg	YRB	BELDEN-1520A
V-1010-	I/F-02 > R	I/F-02	BNC	112.DESK	MONT-02>R	MONT-02	B	112.DESK FAR RIGHT	0	EDIT_2_VID.dwg	YRB	BELDEN-1520A
V-1011-	I/F-02 > B	I/F-02	BNC	112.DESK	MONT-02>B	MONT-02	B	112.DESK FAR RIGHT	0	EDIT_2_VID.dwg	YRB	BELDEN-1520A

Number	Source				Destination				Length	Sheet	Sig Type	Cable Type
	Source	Alias	Conn	Location	Destination	Alias	Conn	Location				
V-1012-	MON-01 > VID.1-LOOP	MON-01	B	ROOM 110.2.43	10XL-01>V.1	QC SWR	B	ROOM 110.2.26	0	MACHINE_ROOM.dwg	VID	BELDEN-1505A
V-1013-	MON-01 > VID.2-LOOP	MON-01	B	ROOM 110.2.43	10XL-01>V.2	QC SWR	B	ROOM 110.2.26	0	MACHINE_ROOM.dwg	VID	BELDEN-1505A
V-1014-	MON-01 > VID.3-LOOP	MON-01	B	ROOM 110.2.43	10XL-01>V.3	QC SWR	B	ROOM 110.2.26	0	MACHINE_ROOM.dwg	VID	BELDEN-1505A
V-1015-	MON-01 > VID.4-LOOP	MON-01	B	ROOM 110.2.43	10XL-01>V.4	QC SWR	B	ROOM 110.2.26	0	MACHINE_ROOM.dwg	VID	BELDEN-1505A
V-1016-	10XL-01 > V.OUT	QC SWR	B	ROOM 110.2.26	EDMON-01>A	EDMON-01	B	ROOM 110.2.28	0	MACHINE_ROOM.dwg	VID	BELDEN-1505A
V-1017-	VDA-01 > OUT.2	VDA-01	B	ROOM 110.4.43-1	VTR-01>REF	VTR-01	B	ROOM 110.2.16	0	REF_DIST.dwg	VID	BELDEN-1505A
V-1018-	VDA-01 > OUT.3	VDA-01	B	ROOM 110.4.43-1	VTR-02>REF	VTR-02	B	ROOM 110.3.13	0	REF_DIST.dwg	VID	BELDEN-1505A
V-1019-	VDA-01 > OUT.4	VDA-01	B	ROOM 110.4.43-1	VTR-03>REF	VTR-03	B	ROOM 110.3.7	0	REF_DIST.dwg	VID	BELDEN-1505A
V-1020-	VDA-01 > OUT.5	VDA-01	B	ROOM 110.4.43-1	VTR-04>REF	VTR-04	B	ROOM 110.3.14	0	REF_DIST.dwg	VID	BELDEN-1505A



# Bill of Materials

If this report is empty, check your filter string settings and be sure that you have generated a Bill of Materials. Click Reports>Generate Bill of Materials

**Snapshot Name Demo 1**

**Category Cable Types**

Manufacturer	Item	Qty	Cost1	Ext1	Vendor1	Status	User1
BELDEN	1505A	190	0	0		Not Ordered	
BELDEN	1520A	0	0	0		Not Ordered	
BELDEN	1855	0	0	0		Not Ordered	
BELDEN	1505A 003 ORG	280	0	0		Not Ordered	
BELDEN	1694A - Black	400	0	0		Not Ordered	
BELDEN	1801A	350	0	0	ven	Not Ordered	
BELDEN	8723	0	0	0		Not Ordered	

**Sub Total: 0.00**

**Category Equipment**

Manufacturer	Item	Qty	Cost1	Ext1	Vendor1	Status	User1
360 SYSTEMS	Instant Replay	1	0	0		Not Ordered	
ADC	PPI2232RS- MVJ	2				Not Ordered	
ADC	PPI1224N	3				Not Ordered	
AJA	KONA LH	2				Not Ordered	
APPLE COMPUTERS	G5	2				Not Ordered	



CISCO	WS-C2950T	2	Not Ordered
CUSTOM PANEL	BSP	2	Not Ordered
EVERTZ	7720AD	2	Not Ordered
EVERTZ	HD9084	1	Not Ordered
EVERTZ	7720AE-4	2	Not Ordered
GENERIC EQUIPMENT	Computer Monitor	4	Not Ordered
GENERIC EQUIPMENT	CONTROL PATCH BAY	1	Not Ordered
GENERIC EQUIPMENT	Rack 45	5	Not Ordered
GENERIC EQUIPMENT	Traffic Computer	1	Not Ordered
GRASS VALLEY	8900 Frame	2	Not Ordered
GRASS VALLEY	8941	2	Not Ordered
GRASS VALLEY	8801	4	Not Ordered
GRASS VALLEY	10 XL	1	Not Ordered
HAFLER	P300	2	Not Ordered
KRAMER	105B	1	Not Ordered
KRK	6000s	4	Not Ordered
PESA	COUGAR SDI	4	Not Ordered
SONY	DVW A500	4	Not Ordered
SONY	PVM 14F1u	4	Not Ordered



SONY	500 PS	1				Not Ordered
SONY	PVM20M4U	2				Not Ordered
TEKTRONIX	SPG422	1				Not Ordered
WOHLER	AMP1A	4				Not Ordered
YAMAHA	O2R	2				Not Ordered

**Sub Total: 0.00**

**Category** **Input Connectors**

Manufacturer	Item	Qty	Cost1	Ext1	Vendor1	Status	User1
	1394	2	0	0		Not Ordered	
	15D HD	4	0	0		Not Ordered	
	37D	8				Not Ordered	
	9D	6	0	0		Not Ordered	
	B	77	0	0		Not Ordered	
	Ban	4	0	0		Not Ordered	
	BNC	5	0	0		Not Ordered	
	X	12	0	0		Not Ordered	
	XLR	2	0	0		Not Ordered	

**Sub Total: 0.00**

**Category** **Output Connectors**

Manufacturer	Item	Qty	Cost1	Ext1	Vendor1	Status	User1
	1/4	4				Not Ordered	
	37D	2				Not Ordered	

B	74	0	0	Not Ordered
BNC	8	0	0	Not Ordered
D9	6	0	0	Not Ordered
HD15	4	0	0	Not Ordered
IEEE	2	0	0	Not Ordered
X	18	0	0	Not Ordered
XLR	2	0	0	Not Ordered
<b>Sub Total: 0.00</b>				

<b>A-1001-</b> S:VTR-01>MON- D:10XL-01>L.1	<b>A-1002-</b> S:VTR-01>MON- D:10XL-01>R.1	<b>A-1003-</b> S:VTR-02>MON- D:10XL-01>L.2	<b>A-1004-</b> S:VTR-02>MON- D:10XL-01>R.2	<b>A-1005-</b> S:VTR-03>MON- D:10XL-01>L.3	<b>A-1006-</b> S:VTR-03>MON- D:10XL-01>R.3	<b>A-1007-</b> S:VTR-04>MON- D:10XL-01>L.4	<b>A-1008-</b> S:VTR-04>MON- D:10XL-01>R.4	<b>A-1009-</b> S:O2R-01>CR L D:PA-01>L
<b>A-1001-</b>	<b>A-1002-</b>	<b>A-1003-</b>	<b>A-1004-</b>	<b>A-1005-</b>	<b>A-1006-</b>	<b>A-1007-</b>	<b>A-1008-</b>	<b>A-1009-</b>

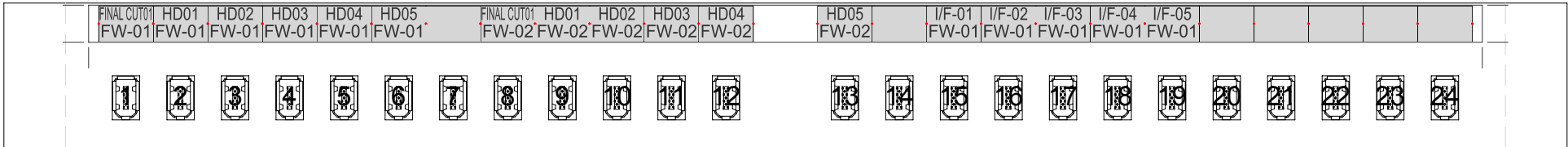
DELETE THIS TEXT AND RECTANGLE BEFORE PRINTING	DELETE THIS TEXT AND RECTANGLE BEFORE PRINTING	DELETE THIS TEXT AND RECTANGLE BEFORE PRINTING	DELETE THIS TEXT AND RECTANGLE BEFORE PRINTING	DELETE THIS TEXT AND RECTANGLE BEFORE PRINTING	DELETE THIS TEXT AND RECTANGLE BEFORE PRINTING	DELETE THIS TEXT AND RECTANGLE BEFORE PRINTING	DELETE THIS TEXT AND RECTANGLE BEFORE PRINTING	DELETE THIS TEXT AND RECTANGLE BEFORE PRINTING
--	--	--	--	--	--	--	--	--

<b>A-1010-</b> S:O2R-01>CR R D:PA-01>R	<b>A-1011-</b> S:PA-01>R D:SPK-02>IN	<b>A-1012-</b> S:PA-01>L D:SPK-01>IN	<b>A-1013-</b> S:O2R-02>CR L D:PA-02>L	<b>A-1014-</b> S:O2R-02>CR R D:PA-02>R	<b>A-1015-</b> S:PA-02>R D:SPK-04>IN	<b>A-1016-</b> S:PA-02>L D:SPK-03>IN	<b>C-1001-</b> S:I/F-01>RS 422 D:SP-01>RS422-	<b>C-1002-</b> S:I/F-02>RS 422 D:SP-02>RS422-
<b>A-1010-</b>	<b>A-1011-</b>	<b>A-1012-</b>	<b>A-1013-</b>	<b>A-1014-</b>	<b>A-1015-</b>	<b>A-1016-</b>	<b>C-1001-</b>	<b>C-1002-</b>

DELETE THIS TEXT AND RECTANGLE BEFORE PRINTING	DELETE THIS TEXT AND RECTANGLE BEFORE PRINTING	DELETE THIS TEXT AND RECTANGLE BEFORE PRINTING	DELETE THIS TEXT AND RECTANGLE BEFORE PRINTING	DELETE THIS TEXT AND RECTANGLE BEFORE PRINTING	DELETE THIS TEXT AND RECTANGLE BEFORE PRINTING	DELETE THIS TEXT AND RECTANGLE BEFORE PRINTING	DELETE THIS TEXT AND RECTANGLE BEFORE PRINTING	DELETE THIS TEXT AND RECTANGLE BEFORE PRINTING
--	--	--	--	--	--	--	--	--

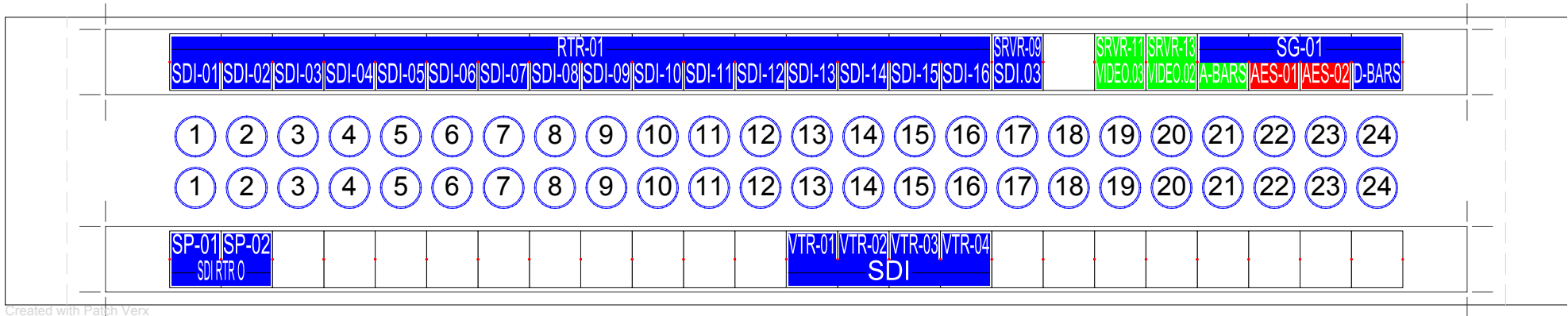
<b>C-1003-</b> S:CPB-01>B-01 D:VTR-01>RS422	<b>C-1004-</b> S:CPB-01>B-02 D:VTR-02>RS422	<b>C-1005-</b> S:CPB-01>B-03 D:VTR-03>RS422	<b>C-1006-</b> S:CPB-01>B-04 D:VTR-04>RS422	<b>D-1001-</b> S:CPU-01>FIREV D:I/F-01>1394	<b>D-1002-</b> S:CPU-01>MON- D:Cmon-01>VGA	<b>D-1003-</b> S:CPU-01>MON- D:Cmon-02>VGA	<b>D-1004-</b> S:CPU-02>FIREV D:I/F-02>1394	<b>D-1005-</b> S:CPU-02>MON- D:Cmon-03>VGA
<b>C-1003-</b>	<b>C-1004-</b>	<b>C-1005-</b>	<b>C-1006-</b>	<b>D-1001-</b>	<b>D-1002-</b>	<b>D-1003-</b>	<b>D-1004-</b>	<b>D-1005-</b>

DELETE THIS TEXT AND RECTANGLE BEFORE PRINTING	DELETE THIS TEXT AND RECTANGLE BEFORE PRINTING	DELETE THIS TEXT AND RECTANGLE BEFORE PRINTING	DELETE THIS TEXT AND RECTANGLE BEFORE PRINTING	DELETE THIS TEXT AND RECTANGLE BEFORE PRINTING	DELETE THIS TEXT AND RECTANGLE BEFORE PRINTING	DELETE THIS TEXT AND RECTANGLE BEFORE PRINTING	DELETE THIS TEXT AND RECTANGLE BEFORE PRINTING	DELETE THIS TEXT AND RECTANGLE BEFORE PRINTING
--	--	--	--	--	--	--	--	--



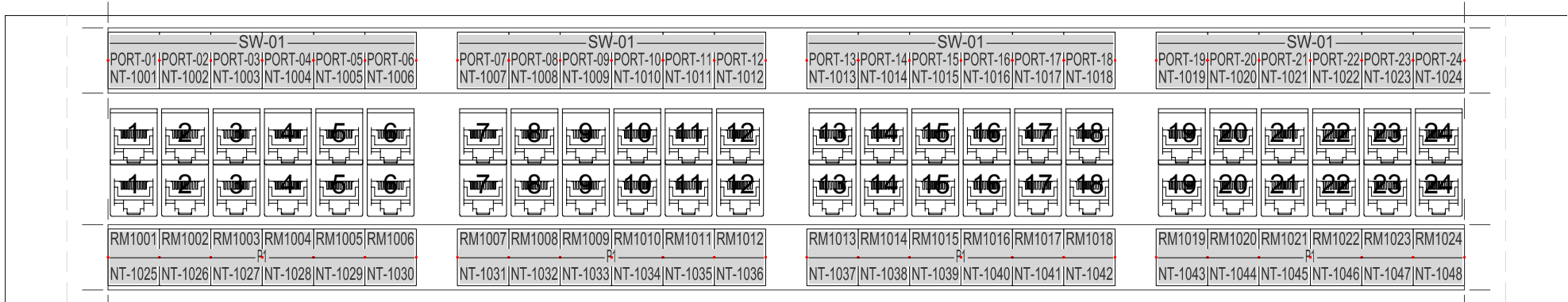
Created with Patch Verx

Manufacturer:	ADC	Verify All Dimensions
Model:	FIREWIRE	HEI
SysName:	SysName	Created: 1/15/2007 12:40:45 PM



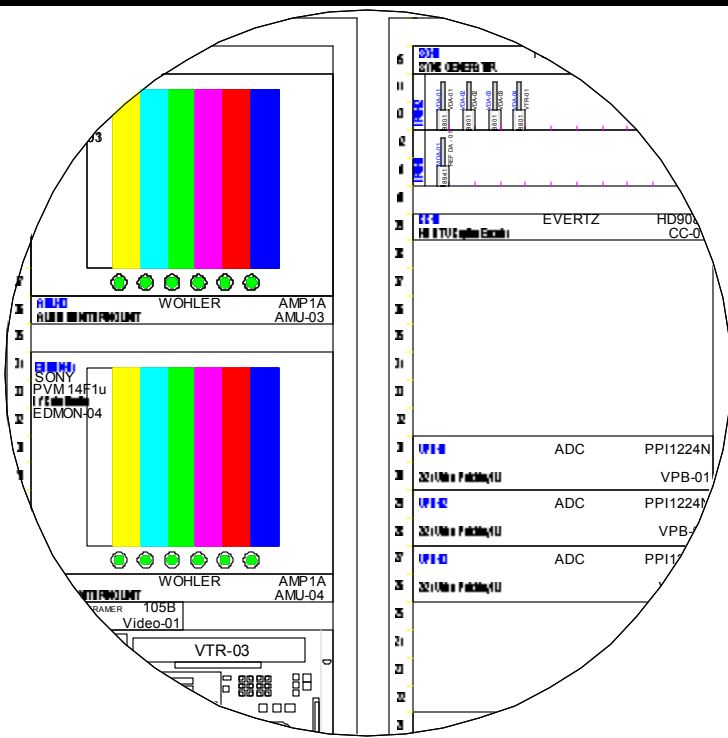
Created with Path Verx

Manufacturer:	BITTREE	Comments:	Verify All Dimensions
Model:	COMPVID SERIES	Created By:	HEI
SysName:	VPB-01	Created:	12/22/2006 1:09:00 PM

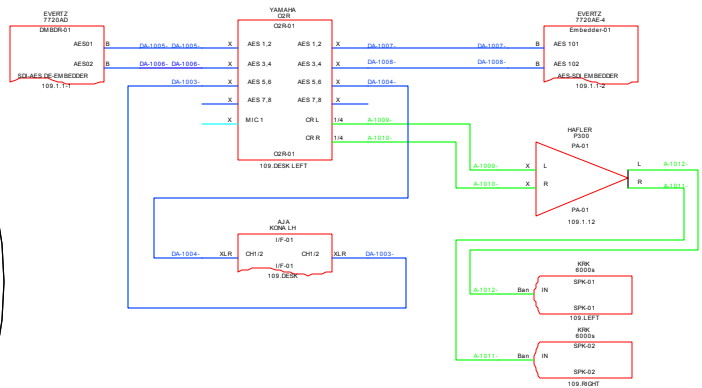


Created with Patch Verx

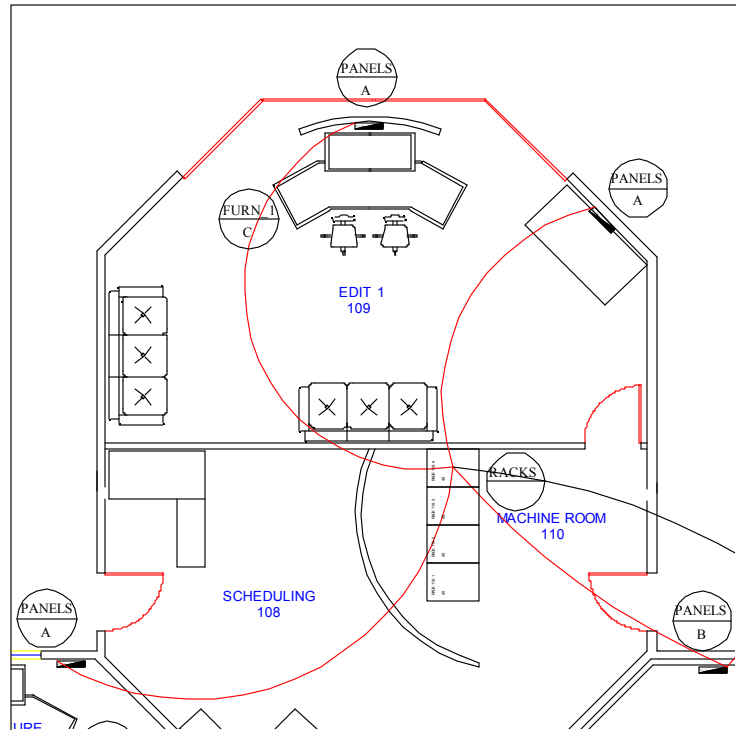
Manufacturer:	BITTREE	Comments:	Verify All Dimensions
Model:	COMPVID SERIES	Created By:	HEI
SysName:	CPB-01	Created:	12/22/2008 1:09:00 PM



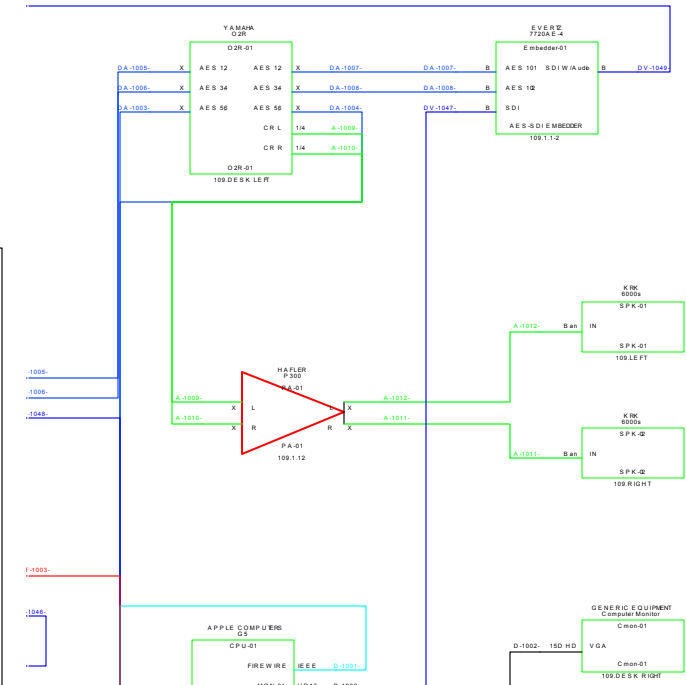
Rack Layouts



Detail Single Lines



Floor Plans (2D CAD)



Data Driven Drawings  
Integral Databases  
Error Checking  
Custom Reports  
Cable Labels



WireCAD  
1112 6th Street South  
Nampa, Idaho 83651

SALES DEMO

1.866.273.5298 US  
1.661.253.4370 INTL  
www.wirecad.com

SIZE AV  
SCALE

FSCM NO  
DWG NO sales@wirecad.com  
REV  
SHEET SALES\_DEMO.dwg